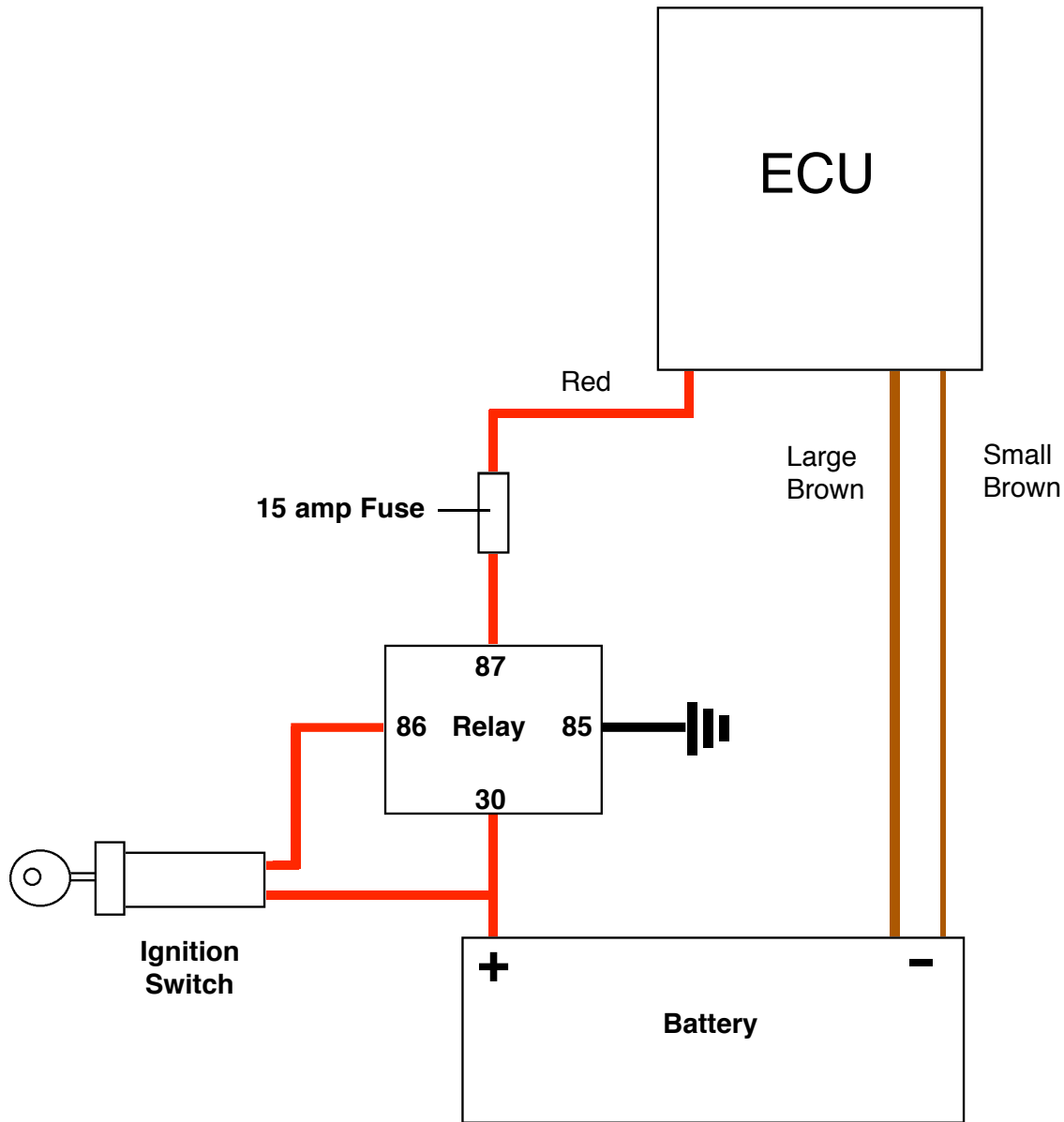


ECU Power Detail



WARNING!

The ECU power and ground wires must be attached directly to the battery. If wires need to be lengthened, use 12 gauge for the large wires and 16 gauge for the small wire.